

Item# _____
Project: _____
Qty: _____

Double Sneeze Guard

SG3-2



Serv-Ware

Features

- Stainless steel top
- For 3 bay food warmer
- Double sided sneeze guard
- 6mm thick tempered glass guard
- Allows access to food on both sides
- Fits Serv-Ware model # EST3-1 Food Warmer



Serv-Ware
www.servware.com

Phone:(800).768.5953

Fax:(800).976.1299

Revised 11/18

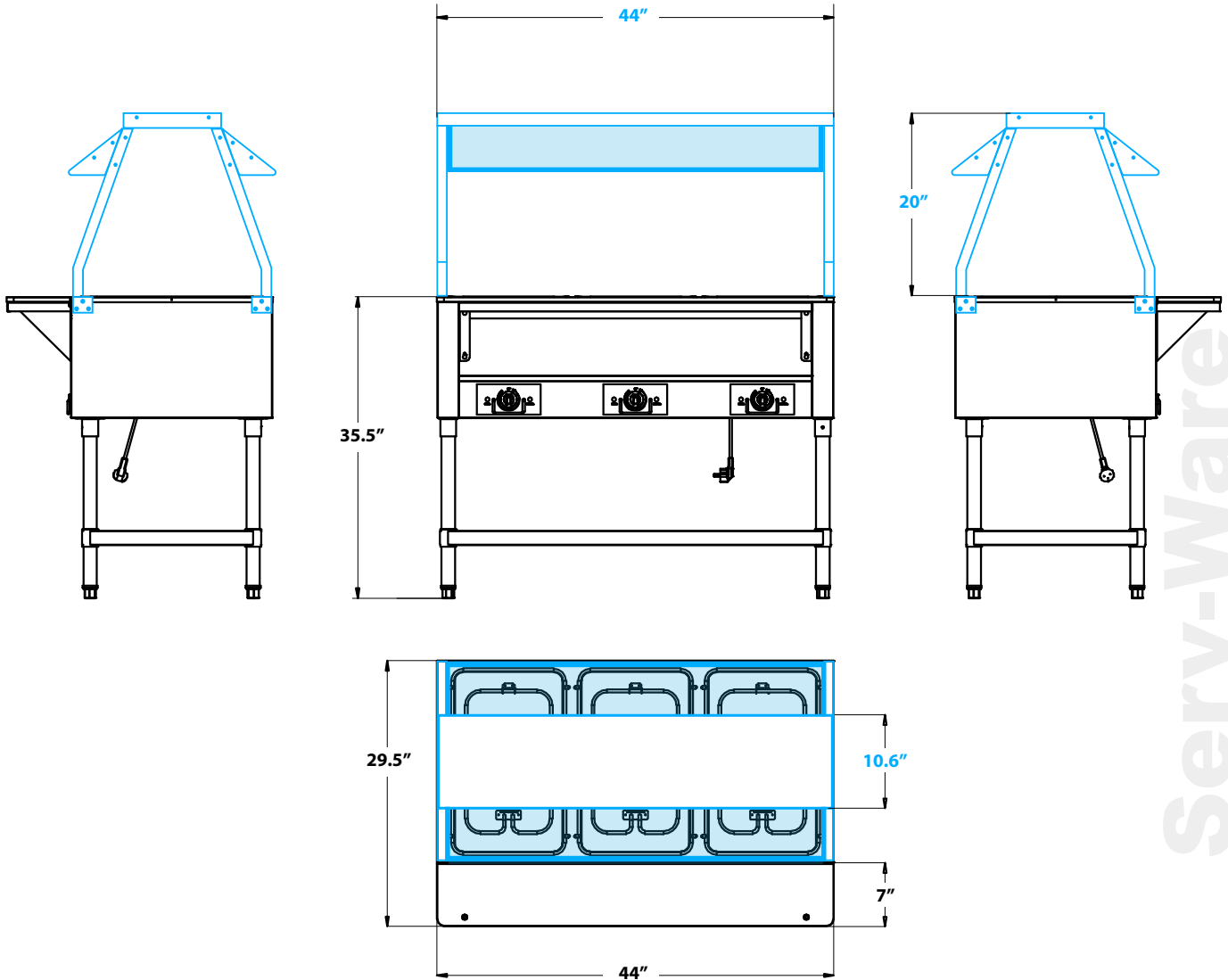
Item# _____

Project: _____

Qty: _____

Double Sneeze Guard

SG3-2



Serv-Ware

Model

Description

Dimensions

Weight / lbs.

SG3-2

Double sided sneeze guard
Fits 3 bay food warmer

(H x W x D)

20" H X 44" W X 10.6" D

(Shipping)

32 lbs.



Serv-Ware
www.servware.com

Phone: (800).768.5953

Fax: (800).976.1299

Revised 11/18