

# Refrigerated Flat Glass Display cases



## KBF-MAX- Series

KBF-49 MAX | KBF-59 MAX | KBF-79 MAX



KBF-59 MAX

KBF-MAX Series from Kool-It are Refrigerated Flat Glass Display cases with full depth shelves to accommodate 18" x 26" sheet pans in a convenient style.

This unit will be a great addition to your operation and will bring impulse sales! .

Case includes 3 levels of display, all stainless steel construction either in a standard finish or the all new black stainless steel. The rear doors are designed for simplicity and function.

This refrigerator holds 34-41°F for the best in bakery preservation and meets all health standards.

### Durable Design

- Stainless or black Stainless
- Full depth shelves to accommodate 18" x 26" sheet pans in a convenient style
- Forced air, self-contained refrigerated merchandiser
- Modern design for merchandising beverages, cheese, sandwiches and much more
- Exterior and interior tempered safety glasses (Double layer glass is tempered glass)
- Designed for mobility, reliability & efficiency in commercial kitchens
- (3) Height Adjustable shelves
- Slide out condensing unit for easy maintenance
- KBF-49 MAX: 4 casters, KBF-59 MAX: 4 casters, KBF-79 MAX: 6 casters

### Superior Quality

- Rear glass sliding doors
- LED lighting
- Certified to ETL safety and sanitation standards
- Solid body construction

### Energy Efficient

- Digital temperature control
- Automatic defrost
- Energy-saving side glass

MODEL	OVERALL DIMENSIONS (In)	SHIPPING DIMENSIONS (In)	CAPACITY (Cubic feet)	NET. WT (Lbs)	SHIPPING WT (Lbs)	VOLTAGE	TEMP	AMPS	COMPRESSOR SIZE (HP)
KBF-49 MAX	49.6" x 34.7" x 53.2"	51.2" x 38.8" x 63.2"	23.45	418.9	546.7	115/60/1	34°F - 41°F	6.3	3/8
KBF-59 MAX	59" x 34.7" x 53.2"	63.0" x 38.8" x 63.2"	29.95	498.2	648.2	115/60/1	34°F - 41°F	7	1/2
KBF-79 MAX	78.7" x 34.7" x 53.2"	82.7" x 38.8" x 63.2"	39.82	612.9	795.9	115/60/1	34°F - 41°F	8	1/2



Warranty: 1 Year parts and labor. \*Additional 48months on compressor (part only)  
 KOOL-IT is a registered trademark of MVP Group. Specifications subject to change without notice.



www.mvpgroupcorp.com



3560 NW 56th Street  
 Fort Lauderdale, FL 33309  
 Tel.: 786.600.4687 / Toll Free: 844.218.8477

sales@mvpgroupcorp.com

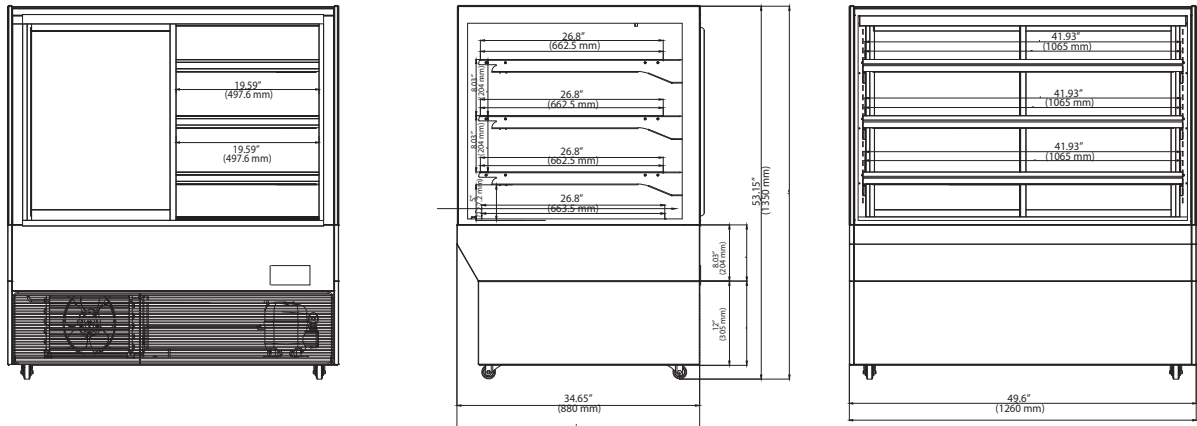
# Refrigerated Flat Glass Display cases



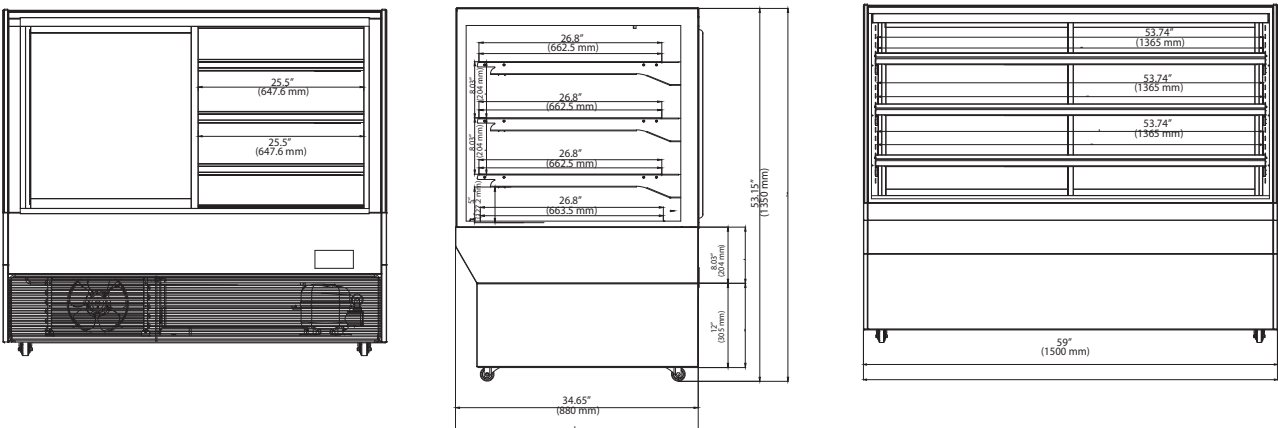
## KBF-MAX- Series

KBF-49 MAX | KBF-59 MAX | KBF-79 MAX

### KBF-49 MAX



### KBF-59 MAX



### KBF-79 MAX

