

Item# _____
Project: _____
Qty: _____

Electric Convection Ovens

ECO-21



ECO-47



ECO-66



Serv-Ware

Features

- (ECO-21) 3 each (¼) size chrome oven racks; can be removed to slide sheet pans into rack guides
- (ECO-47) 4 each (½) size chrome oven racks; can be removed to slide sheet pans into rack guides
- (ECO-66) 4 each (½) size chrome oven racks; can be removed to slide sheet pans into rack guides
- Great for baking, warming and defrosting
- Heavy duty stainless steel interior and exterior
- Manual temperature control knob
- 0 - 120 minute timer
- Power on and ready indicator lamps
- Dual wall - high performance double insulation
- Dual pane glass door
- Forced air convection - high efficiency
- Cool touch glass and aluminum handle
- 1 Year replacement parts warranty



Serv-Ware
www.servware.com

Phone:(800).768.5953

Revised 5/18

Fax:(800).976.1299



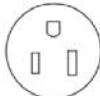
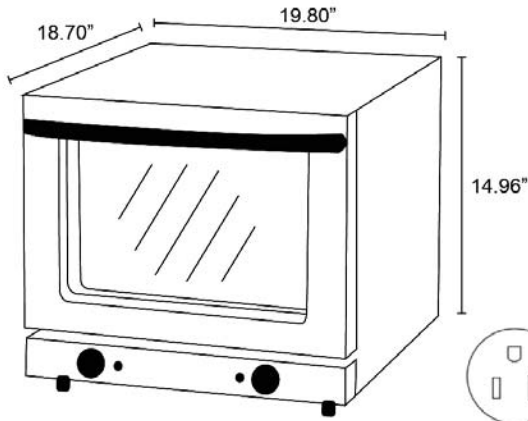
Item# _____

Project: _____

Qty: _____

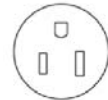
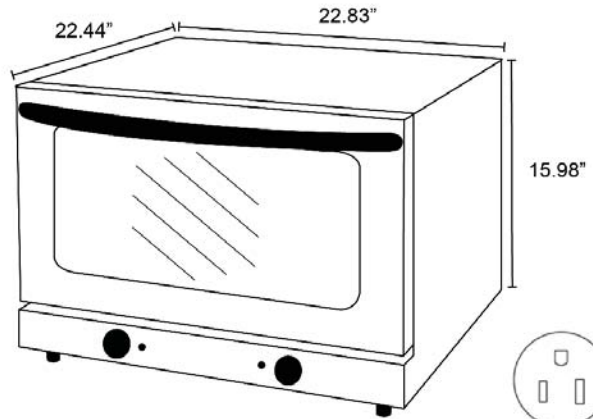
Electric Convection Ovens

ECO-21



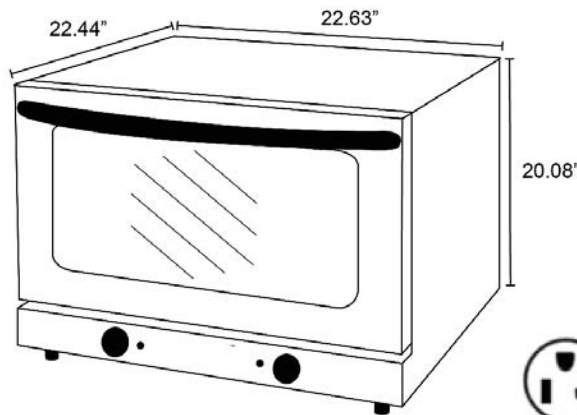
NEMA 5-15

ECO-47



NEMA 5-15

ECO-66



NEMA 6-20P

Serv-Ware

Model	Electrical	Packaged Dimensions (W x D x H)	Weight (Shipping)
ECO-21	1440W/120V	22.24" x 22.24" x 17.91"	39 lbs.
ECO-47	1600W/120V	25.59" x 25.59" x 18.30"	52 lbs.
ECO-66	2800W/208V	25.98" x 25.59" x 22.83"	39 lbs.



Serv-Ware
www.servware.com

Phone:(800).768.5953

Revised 5/18

Fax:(800).976.1299



Intertek