

Item# \_\_\_\_\_  
Project: \_\_\_\_\_  
Qty: \_\_\_\_\_

# Reach-In Refrigerator

**RR-1-19** One Door Refrigerator    **RR-1\*** One Door Refrigerator    **RR-2-35** Two Door Refrigerator    **RR-2\*** Two Door Refrigerator    **RR-3\*** Three Door Refrigerator



## Features

- Now with stainless steel interior \*
- Electronic Thermostat and Digital LED Temperature Display
- High Efficiency CFC Free Insulation
- Stainless Steel Front and Sides
- Self-Closing Doors with Full Length Handle, Remain Open Past 90°
- 3 Shelves Per Door
- Shipped with Casters Not Installed
- UL Safety and UL Sanitation Approved

You will appreciate the attractive professional aesthetics of these units which will add curb appeal to any type of business. Our units are featured with a heavy duty 304 stainless steel interior and 304 stainless steel floor, 430 stainless steel exterior door & front panel, self-closing lockable doors, digital controls with a LED readout and foamed in place polyurethane cell insulation.

All units are supplied with casters not installed (2 Brake and 2 Non Brake). The single door includes 3 epoxy coated wire shelves, the double door includes 6 epoxy coated wire shelves and the triple door includes 9 epoxy coated wire shelves, all with adjustable mounting brackets for greater flexibility. The bottom mounted compressor designed to hold temperatures between 33° F and 41° F.

The bottom mounted compressor designed to hold temperatures between 33° F and 41° F.

**Conforms to UL471, CSA C22.2 and NSF 7 Standards.**

**Two Year** - Parts & Labor on entire unit. Valid in United States  
**Three Year** - Additional Compressor, Part Only



**Serv-Ware**  
[www.servware.com](http://www.servware.com)

Phone: (800).768.5953

Revised 4/19

Fax: (800).976.1299



Serv-Ware



# Reach-In Refrigerator

## RR-1-19 One Door

Exterior Dimensions	26.8" W x 25.6" D x 82.3" H
Net Volume	19 cu. ft.
Shipping Weight	275 lbs.
Exterior Material	430 Stainless Steel
Interior Material	Painted Aluminum
Insulation Material	304 S/S Floor
Shelf Material	CFC Free Foam
Temperature	Epoxy Coated Foam
Refrigerant	33°F - 41°F
Defrosting	R134A
H/P	Every 6 Hours
Voltage / Hz / Phase	115 / 60 / 1
Amps	6
Nema Plug	5-15P

## RR-1 One Door

Exterior Dimensions	27" W x 33" D x 82.7" H
Net Volume	23 cu. ft.
Shipping Weight	314 lbs.
Exterior Material	430 Stainless Steel
Interior Material	Stainless Steel
Insulation Material	202 S/S Floor
Shelf Material	CFC Free Foam
Temperature	Epoxy Coated Foam
Refrigerant	33°F - 41°F
Defrosting	R134A
H/P	Every 6 Hours
Voltage / Hz / Phase	115 / 60 / 1
Amps	6
Nema Plug	5-15P

## RR-2-35 Two Door

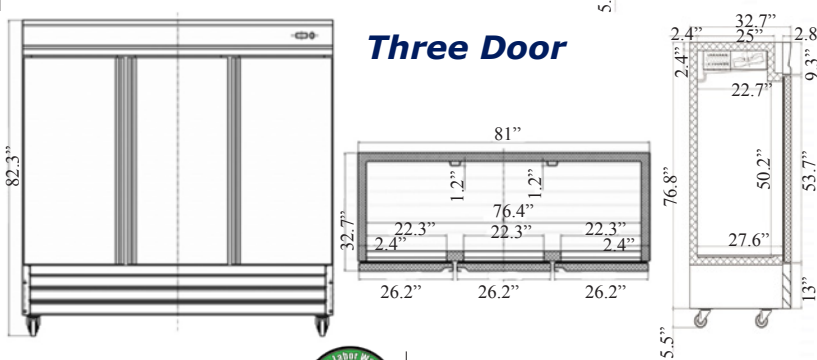
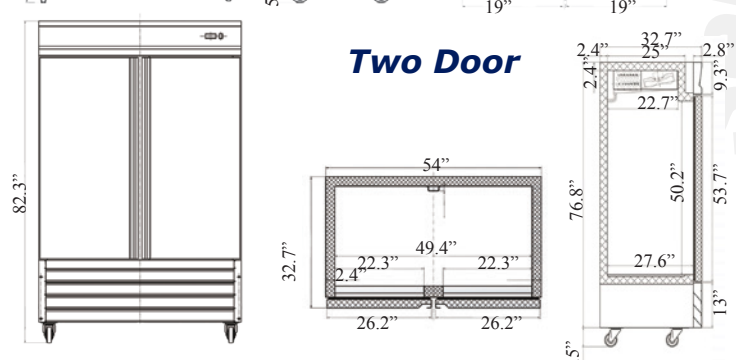
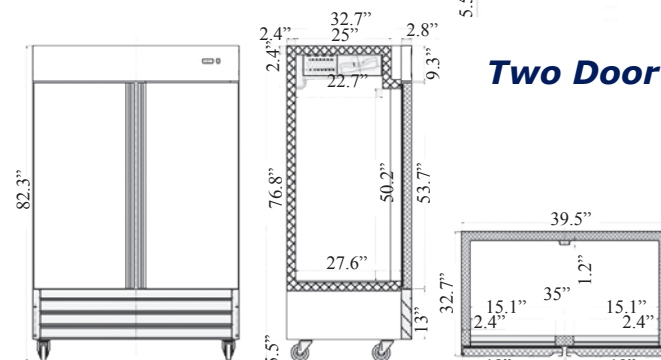
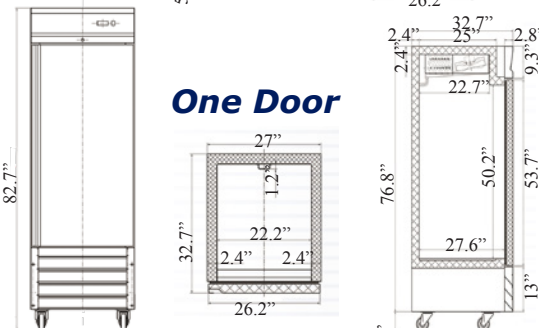
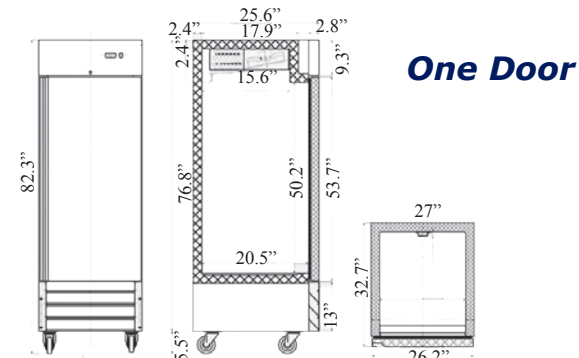
Exterior Dimensions	39.5" W x 32.7" D x 82.3" H
Net Volume	35 cu. ft.
Shipping Weight	420 lbs.
Exterior Material	430 Stainless Steel
Interior Material	Painted Aluminum
Insulation Material	304 S/S Floor
Shelf Material	CFC Free Foam
Temperature	Epoxy Coated Foam
Refrigerant	33°F - 41°F
Defrosting	R134A
H/P	Every 6 Hours
Voltage / Hz / Phase	115 / 60 / 1
Amps	9
Nema Plug	5-15P

## RR-2 Two Door

Exterior Dimensions	54" W x 33" D x 82.3" H
Net Volume	49 cu. ft.
Shipping Weight	460 lbs.
Exterior Material	430 Stainless Steel
Interior Material	Stainless Steel
Insulation Material	202 S/S Floor
Shelf Material	CFC Free Foam
Temperature	Epoxy Coated Foam
Refrigerant	33°F - 41°F
Defrosting	R134A
H/P	Every 6 Hours
Voltage / Hz / Phase	115 / 60 / 1
Amps	9
Nema Plug	5-15P

## RR-3 Three Door

Exterior Dimensions	81" W x 33" D x 82.3" H
Net Volume	72 cu. ft.
Shipping Weight	668 lbs.
Exterior Material	430 Stainless Steel
Interior Material	Stainless Steel
Insulation Material	202 S/S Floor
Shelf Material	CFC Free Foam
Temperature	Epoxy Coated Foam
Refrigerant	33°F - 41°F
Defrosting	R134A
H/P	Every 6 Hours
Voltage / Hz / Phase	115 / 60 / 1
Amps	10
Nema Plug	5-15 P



**Serv-Ware**  
www.servware.com

Phone: (800).768.5953

Revised 4/19

Fax: (800).976.1299

