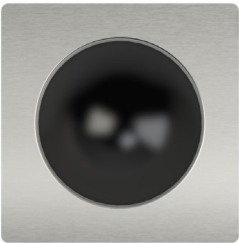


NON-TOUCH DISPLAY



HELIOS STANDARD, FREESTANDING



HELIOS STANDARD, DROP-IN

TOUCH DISPLAY



HELIOS TOUCH, FREESTANDING

FEATURES

- 1800 watts (US and Canada), 2500 watts, and 3500 watts
- Available in 100–120 VAC and 200–240V, single phase
- Freestanding or drop-in design with stainless steel housing
- Sloped front panel on freestanding design
- Helios Standard or Helios Touch display options for freestanding design
- High-quality internal electronics and heavy gauge Litz wire
- Easy-to-clean high temperature glass-ceramic bowl
- 4.3" display
- Even heat distribution across bottom of cookware*
- Temperature range from 85°F–425°F (29°C–218°C)
- Automatic pan detection allows for instant energy transmission to pan
- Automatic shut-off feature prohibits overheating
- Integral grease filter and air baffle ensure air intake is cleaner and cooler
- Microprocessor monitors vital components to check for overheating, power supply issues, and more

INCLUDED

- Two-year advanced replacement warranty – U.S. and Canada
- Integral fan to keep internal components cool
- Standard Cat 5e or Cat 6 patch cable from unit to control box
- Plug and cord (6 ft. nominal)

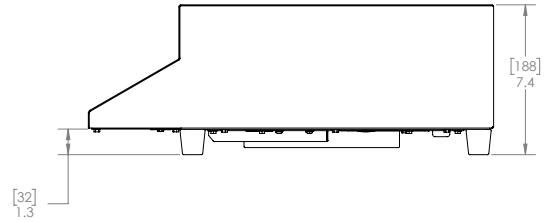
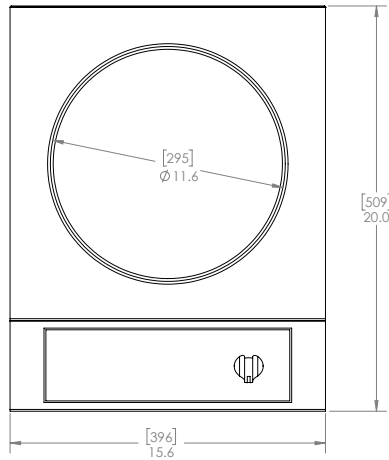
CERTIFICATIONS



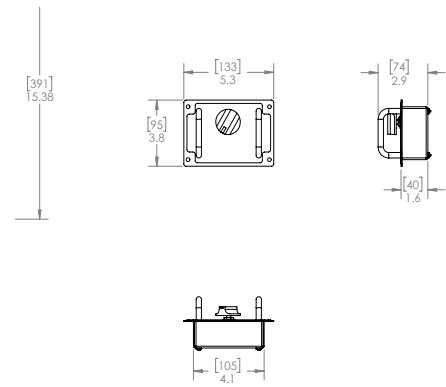
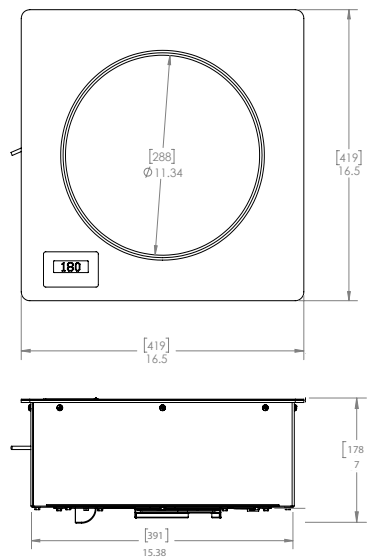
*Induction cooking requires the use of induction-compatible (i.e. magnetic) cookware.

It is the owner and installer's responsibility to comply with all local codes. CookTek reserves the right to make substitutions of components or change specifications without prior notice.

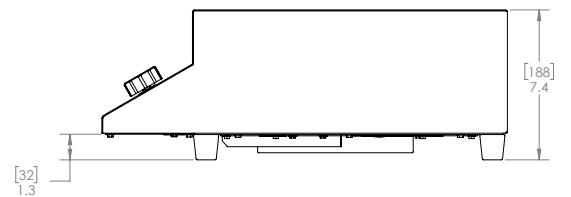
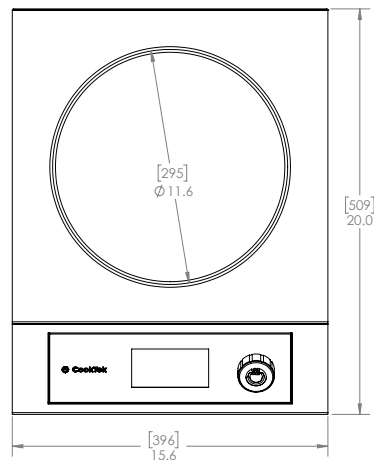
**HELIOS STANDARD
FREESTANDING**



**HELIOS STANDARD
DROP-IN**



**HELIOS TOUCH
FREESTANDING**



DIMENSIONS - HELIOS STANDARD FREESTANDING		
Full Unit Height	7.4"	188 mm
Full Unit Width	15.6"	396 mm
Full Unit Depth	20"	509 mm
Feet Height	1.3"	32 mm
Weight	22 lb.	8.6 kg
Max Ambient Temperature	122°F	50°C
WALL CLEARANCE*		
Front	2"	51 mm
Sides	2"	51 mm
Rear	2"	51 mm

DIMENSIONS - HELIOS STANDARD DROP-IN		
Full Unit Height	6.2"	178 mm
Full Unit Width	16.5"	419 mm
Housing Width	15.38"	391 mm
Full Unit Depth	16.5"	419 mm
Housing Depth	15.38"	391 mm
Cutout Width	15.75"	400 mm
Cutout Depth	15.75"	400 mm
Weight	22 lb.	8.6 kg
Max Ambient Temperature	122°F	50°C
WALL CLEARANCE*		
Front	2"	51 mm
Sides	2"	51 mm
Rear	2"	51 mm

DIMENSIONS - HELIOS TOUCH FREESTANDING		
Full Unit Height	7.4"	188 mm
Full Unit Width	15.6"	396 mm
Full Unit Depth	20"	509 mm
Feet Height	1.3"	32 mm
Weight	22 lb.	8.6 kg
Max Ambient Temperature	122°F	50°C
WALL CLEARANCE*		
Front	2"	51 mm
Sides	2"	51 mm
Rear	2"	51 mm

SHIPPING INFORMATION		
Packaged Height	9"	229 mm
Packaged Width	18.75"	476 mm
Packaged Depth	20.75"	527 mm
Packaged Weight	24 lb.	10.9 kg
Item Class	250 NMFC #26710	



NEMA 5-15P



SI 32, 16A, 250V



NEMA 6-20P



AS/NZS 3112:2000, 10A, 250V



BS1363, 13A, 230V



CEE 7/7 Schuko, 16A, 250V



IEC 309, 16A, 3-pin



AS/NZS 3112:2000, 15A, 250V



BS 546, 16A, 250V

ELECTRICAL SPECIFICATIONS - SINGLE PHASE HELIOS STANDARD FREESTANDING		
UNITED STATES/CANADA		
HRF-9500-WK18-1	Freestanding, Helios Standard, 100–120V, 50/60 Hz, 1800W	NEMA 5-15P
HRF-9500-WK25-1	Freestanding, Helios Standard, 200–240V, 50/60 Hz, 2500W	NEMA 6-20P
HRF-9500-WK35-1	Freestanding, Helios Standard, 200–240V, 50/60 Hz, 3500W	NEMA 6-20P
UK & SAUDI ARABIA		
HRF-9500-WK25-2	Freestanding, Helios Standard, 200–240V, 50/60 Hz, 2500W	BS1363, 13A, 230V
HRF-9500-WK35-2	Freestanding, Helios Standard, 200–240V, 50/60 Hz, 3500W	IEC 309, 16A, 3-pin
INTERNATIONAL		
HRF-9500-WK25-3	Freestanding, Helios Standard, 200–240V, 50/60 Hz, 2500W	CEE 7/7 Schuko, 16A, 250V
HRF-9500-WK35-3	Freestanding, Helios Standard, 200–240V, 50/60 Hz, 3500W	CEE 7/7 Schuko, 16A, 250V
AUSTRALIA		
HRF-9500-WK25-4	Freestanding, Helios Standard, 200–240V, 50/60 Hz, 2500W	AS/NZS 3112:2000, 10A, 250V
HRF-9500-WK35-4	Freestanding, Helios Standard, 200–240V, 50/60 Hz, 3500W	AS/NZS 3112:2000, 15A, 250V
JAPAN		
HRF-9500-WK25-6	Freestanding, Helios Standard, 200–240V, 50/60 Hz, 2500W	NEMA 6-20P
HRF-9500-WK35-6	Freestanding, Helios Standard, 200–240V, 50/60 Hz, 3500W	NEMA 6-20P
SOUTH AFRICA		
HRF-9500-WK25-7	Freestanding, Helios Standard, 200–240V, 50/60 Hz, 2500W	BS 546, 16A, 250V
HRF-9500-WK35-7	Freestanding, Helios Standard, 200–240V, 50/60 Hz, 3500W	BS 546, 16A, 250V
ISRAEL		
HRF-9500-WK25-8	Freestanding, Helios Standard, 200–240V, 50/60 Hz, 2500W	SI 32, 16A, 250V
HRF-9500-WK35-8	Freestanding, Helios Standard, 200–240V, 50/60 Hz, 3500W	SI 32, 16A, 250V

ELECTRICAL SPECIFICATIONS - SINGLE PHASE HELIOS STANDARD DROP-IN		
UNITED STATES/CANADA		
HRD-9500-WK18-1	Drop-in, Helios Standard, 100–120V, 50/60 Hz, 1800W	NEMA 5-15P
HRD-9500-WK25-1	Drop-in, Helios Standard, 200–240V, 50/60 Hz, 2500W	NEMA 6-20P
HRD-9500-WK35-1	Drop-in, Helios Standard, 200–240V, 50/60 Hz, 3500W	NEMA 6-20P
UK & SAUDI ARABIA		
HRD-9500-WK25-2	Drop-in, Helios Standard, 200–240V, 50/60 Hz, 2500W	BS1363, 13A, 230V
HRD-9500-WK35-2	Drop-in, Helios Standard, 200–240V, 50/60 Hz, 3500W	IEC 309, 16A, 3-pin
INTERNATIONAL		
HRD-9500-WK25-3	Drop-in, Helios Standard, 200–240V, 50/60 Hz, 2500W	CEE 7/7 Schuko, 16A, 250V
HRD-9500-WK35-3	Drop-in, Helios Standard, 200–240V, 50/60 Hz, 3500W	CEE 7/7 Schuko, 16A, 250V
AUSTRALIA		
HRD-9500-WK25-4	Drop-in, Helios Standard, 200–240V, 50/60 Hz, 2500W	AS/NZS 3112:2000, 10A, 250V
HRD-9500-WK35-4	Drop-in, Helios Standard, 200–240V, 50/60 Hz, 3500W	AS/NZS 3112:2000, 15A, 250V
JAPAN		
HRD-9500-WK25-6	Drop-in, Helios Standard, 200–240V, 50/60 Hz, 2500W	NEMA 6-20P
HRD-9500-WK35-6	Drop-in, Helios Standard, 200–240V, 50/60 Hz, 3500W	NEMA 6-20P
SOUTH AFRICA		
HRD-9500-WK25-7	Drop-in, Helios Standard, 200–240V, 50/60 Hz, 2500W	BS 546, 16A, 250V
HRD-9500-WK35-7	Drop-in, Helios Standard, 200–240V, 50/60 Hz, 3500W	BS 546, 16A, 250V
ISRAEL		
HRD-9500-WK25-8	Drop-in, Helios Standard, 200–240V, 50/60 Hz, 2500W	SI 32, 16A, 250V
HRD-9500-WK35-8	Drop-in, Helios Standard, 200–240V, 50/60 Hz, 3500W	SI 32, 16A, 250V

ELECTRICAL SPECIFICATIONS CONTINUED ON PAGE 4

*The provided clearances apply to a unit not placed near a heat source. Refer to the owner's manual for clearance requirements if the unit is placed near a heat source.

**ELECTRICAL SPECIFICATIONS - SINGLE PHASE
HELIOS TOUCH FREESTANDING**

UNITED STATES/CANADA

HTF-9500-WK18-1	Freestanding, Helios Touch, 100-120V, 50/60 Hz, 1800W	NEMA 5-15P
HTF-9500-WK25-1	Freestanding, Helios Touch, 200-240V, 50/60 Hz, 2500W	NEMA 6-20P
HTF-9500-WK35-1	Freestanding, Helios Touch, 200-240V, 50/60 Hz, 3500W	NEMA 6-20P

UK & SAUDI ARABIA

HTF-9500-WK25-2	Freestanding, Helios Touch, 200-240V, 50/60 Hz, 2500W	BS1363, 13A, 230V
HTF-9500-WK35-2	Freestanding, Helios Touch, 200-240V, 50/60 Hz, 3500W	IEC 309, 16A, 3-pin

INTERNATIONAL

HTF-9500-WK25-3	Freestanding, Helios Touch, 200-240V, 50/60 Hz, 2500W	CEE 7/7 Schuko 16A, 250V
HTF-9500-WK35-3	Freestanding, Helios Touch, 200-240V, 50/60 Hz, 3500W	CEE 7/7 Schuko 16A, 250V

AUSTRALIA

HTF-9500-WK25-4	Freestanding, Helios Touch, 200-240V, 50/60 Hz, 2500W	AS/NZS 3112:2000, 10A, 250V
HTF-9500-WK35-4	Freestanding, Helios Touch, 200-240V, 50/60 Hz, 3500W	AS/NZS 3112:2000, 15A, 250V

JAPAN

HTF-9500-WK25-6	Freestanding, Helios Touch, 200-240V, 50/60 Hz, 2500W	NEMA 6-20P
HTF-9500-WK35-6	Freestanding, Helios Touch, 200-240V, 50/60 Hz, 3500W	NEMA 6-20P

SOUTH AFRICA

HTF-9500-WK25-7	Freestanding, Helios Touch, 200-240V, 50/60 Hz, 2500W	BS 546, 16A, 250V
HTF-9500-WK35-7	Freestanding, Helios Touch, 200-240V, 50/60 Hz, 3500W	BS 546, 16A, 250V

ISRAEL

HTF-9500-WK25-8	Freestanding, Helios Touch, 200-240V, 50/60 Hz, 2500W	SI 32, 16A, 250V
HTF-9500-WK35-8	Freestanding, Helios Touch, 200-240V, 50/60 Hz, 3500W	SI 32, 16A, 250V



Dedicated circuit required for each installation.