



**“WE MAKE THE KITCHEN BETTER!”**

Toll Free: 855-855-0399 Email: info@atosausa.com  
 www.atosa.com | www.atosausa.com  
 California, Colorado, Florida, Georgia, Illinois,  
 Massachusetts, New Jersey, Ohio, Texas, Washington

# Direct Draw Keg Coolers

## Standard Features

- Stainless steel exterior & interior
- Dixell digital controller
- Maintains temperatures between 33°F – 40°F
- Heavy duty Embraco compressor with environmentally friendly R290 refrigerant
- Slide out compressor assembly for easy maintenance
- Stainless steel drip tray(s)
- Recessed door handle(s)
- Dual tap tower(s) standard
- Interior light(s)
- Magnetic door gasket(s) standard for positive door seal
- Manifold and ball taps included
- Door lock(s) standard
- Pre-installed casters

Model#	Sixth Barrel	Quarter Barrel	Slim Quarter	Half Barrel
MKC23GR				1
MKC23GR	2			
MKC23GR		1		
MKC58GR	1			2
MKC58GR	4			
MKC58GR	1	2		
MKC58GR	1		3	
MKC68GR				3
MKC68GR	6			
MKC68GR		3		
MKC68GR	1		4	
MKC90GR	1			4
MKC90GR	8			
MKC90GR	1	4		
MKC90GR			6	

For the best results of food preservation we recommend setting your refrigerator between 33 °F - 38 °F

1. Don't forget to leave the unit some room to breathe!
2. Please clean the condenser frequently to give the unit more fresh air.



2 YEAR PARTS AND LABOR WARRANTY (US ONLY)  
 5 YEAR COMPRESSOR PART WARRANTY (US ONLY)

## MODELS:

MKC23GR / MKC58GR / MKC68GR / MKC90GR



**MKC23GR**



**MKC58GR**



**MKC68GR**



**MKC90GR**





**“WE MAKE THE KITCHEN BETTER!”**

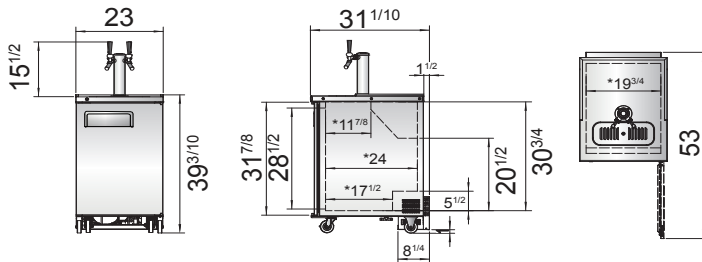
Toll Free: 855-855-0399 Email: [info@atosausa.com](mailto:info@atosausa.com)  
[www.atosa.com](http://www.atosa.com) | [www.atosausa.com](http://www.atosausa.com)  
 California, Colorado, Florida, Georgia, Illinois,  
 Massachusetts, New Jersey, Ohio, Texas, Washington

## SPECIFICATIONS

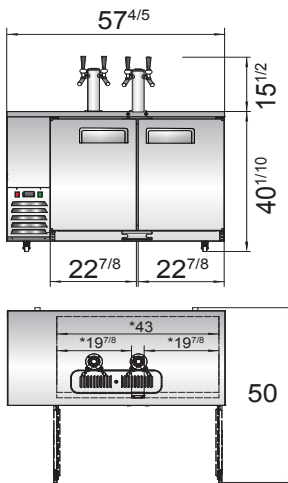
Models	Door	Capacity (Cu.Ft.)	Casters (inch)	Amps (A)	Voltage (V/Hz/Ph)	HP	Refrigerant	Exterior Dimensions (inch)	Net Weight (lbs)	Gross Weight (lbs)
MKC23GR	1	7.1	2	2.3	115/60/1	1/7	R290	23×31 <sup>1/10</sup> ×39 <sup>3/10</sup>	132	188
MKC58GR	2	17.3	2	2.3	115/60/1	1/7	R290	57 <sup>4/5</sup> ×28 <sup>1/10</sup> ×40 <sup>1/10</sup>	209	243
MKC68GR	2	21.5	2	2.3	115/60/1	1/7	R290	68×28 <sup>1/10</sup> ×40 <sup>1/10</sup>	234	291
MKC90GR	3	30.1	2	2.8	115/60/1	1/5	R290	89 <sup>3/10</sup> ×28 <sup>1/10</sup> ×40 <sup>1/10</sup>	282	357

## PLAN VIEW

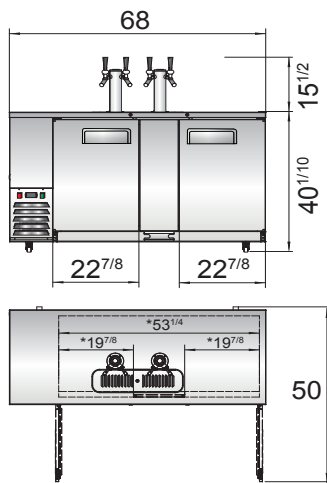
**MKC23GR**



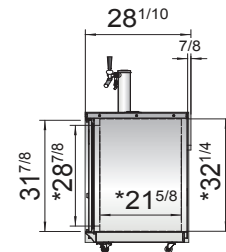
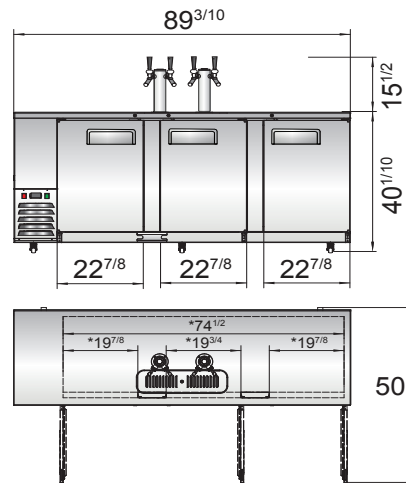
**MKC58GR**



**MKC68GR**



**MKC90GR**



Dual tap towers

Stainless steel drip tray

Manifold and ball taps

